



# DLA-X95RKT THX 3D Certified D-ILA Front Projector

UPC Code: 440001507700

[www.jvc.com](http://www.jvc.com)

## The New JVC DLA-X95R THX 3D Certified D-ILA Front Projector

# Procision

# 4K e-shift2



### DLA-X95RKT Key Features

The flagship in the Procision projector line, the DLA-X95RKT delivers the ultimate in home theater video performance. A 3D-enabled Full HD D-ILA projector, the DLA-X95RKT offers JVC's most advanced display technologies, including 4K e-Shift<sup>2</sup>, which displays 2D HD content with full 4K precision. Built with hand-selected and hand-tested components, it offers unmatched performance, including a 130,000:1 native contrast ratio for peak whites and deep blacks. Other features include on-screen gamma control to fine-tune the image and a range of adjustments to tailor set up to virtually any room.

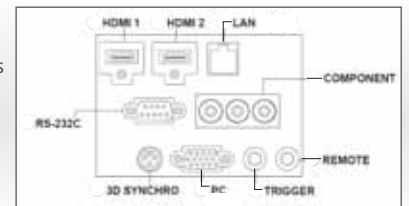
### Specifications

- :: NEW - 4K e-Shift<sup>2</sup> system displays images in 4k precision for on screen resolution of 3840x2160\*
- :: New 2K to 4K Scaling with 8 Band Detection & New MPC Control with 5 selectable 4K profiles
- :: NEW - World's Highest Native Contrast Ratio - 130,000:1
- :: Hand selected components for the ultimate performance
- :: 2D-3D Conversion
- :: 3D Anamorphic Capable
- :: 3D Crosstalk Elimination
- :: 3D Enabled with 3-chip 0.7-inch 1920x1080 D-ILA devices
- :: Supports Frame Sequential 3D, Side-by-Side 3D and Top-Bottom 3D methods
- :: Lens Memory with 10 user adjustable presets
- :: Exclusive Real Color Imaging Technology with Xenon Lamp Color Presets
- :: 7-Axis Color Management System (R,G,B,C,M,Y and Orange)
- :: 24p capable 120Hz Clear Motion Drive
- :: 4th Generation Optical Engine w/Improved Wire Grid Polarizer
- :: Customized Gamma Control On-screen
- :: Wide Lens Shift Functionality (V: 80%, H: 34%)
- :: 2x Motorized Zoom Lens (1.4:1 – 2.8:1)
- :: 3D Parallax Adjustment
- :: RF Active Shutter Glasses (PK-AG3) Included (2 pair)
- :: RF 3D Emitter (PK-EM2) Included
- :: 3 Year Warranty

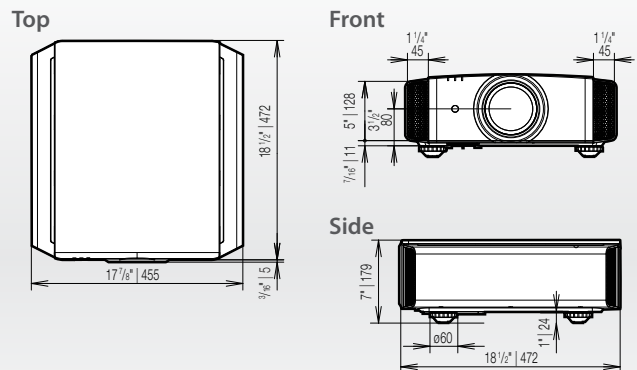
\*4k precision (3840x2160 on screen resolution) does not work when 3D or Clear Motion Drive are engaged

### Inputs & Outputs

- :: Dual HDMI 1.4a Digital Inputs
- :: HD Component Video Input
- :: LAN Connection
- :: RS-232C
- :: 12-Volt Trigger
- :: D-sub 15-pin PC Input



### Weights & Measurements



Weight: 33.95 lbs. / 15.4 kg.

#### Notes:

- Specifications are subject to change without notice.
- HDMI, the HDMI Logo, and High-Definition Multimedia Interface are trademarks or registered trademarks of HDMI Licensing LLC in the United States and other countries.

**Distributed By:**

**JVC Consumer A/V Group** | A Division of JVC America Corp.  
1700 Valley Road, Wayne, NJ 07470

## Accessories

### PK-AG3G - 3D RF Active Shutter Glasses



#### PK-AG3G

- :: 3D RF Active Shutter Glasses for use with all JVC 3D Projectors
- :: RF Design for easy operation
- :: Requires PK-EM2G 3D RF Emitter
- :: Optically matched for high brightness and color accuracy
- :: Can be switched for 2D viewing with 3D/2D Mode Select
- :: USB charging cable and protective bag provided
  - 100 hour operation with full 2.5 hour charge
- :: Compatible with PK-EM2G 3D RF Emitter. As a set the PKAG3G & PK-EM2G may be used with previous JVC 3D Projectors
  - Not compatible with PK-EM1 3D IR Emitter
- :: Weight: 1.34 oz
- :: UPC: 046838067297

### PK-EM2G - 3D RF Emitter



#### PK-EM2G

- :: 3D RF Emitter for all JVC 3D Projectors
- :: RF Design for easy operation
- :: Easy install. Plugs directly into the back of the projector
- :: 30 foot range in any direction from the emitter
- :: Compatible with PK-AG3G 3D RF active shutter glasses
- :: NOTE: Cannot be used with PK-AG1 or PK-AG2
  - PK-AG1 & PK-AG2 are 3D IR active shutter glasses and require PK-EM1 3D IR Emitter
- :: Weight: .7 oz
- :: UPC: 046838067303

## NOTES: